

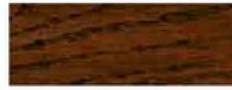
## Color Options \*



Early American



Colonial



Dark Walnut



Jacobean



Red Mahogany



Golden Pecan



English Chestnut



Puritan Pine



Red Oak



Provincial



Ipswich Pine



Special Walnut

\*FOAMCo products are available unfinished upon request.

The colors shown are for reference purposes only. They have been reproduced using digital production techniques. Our handcrafted product is made from natural minerals and synthetic materials that can vary in color and texture. This variation adds a natural appearance to the product. Changes in shape and contours of timbers may create variations over larger surfaces and over a run of several timbers. FOAMCo recommends factory finishing using Minwax® Wood Finish™ stains. Water based stains are available upon request. If selecting unfinished, always test stain on a hidden area of the product to verify desired color.

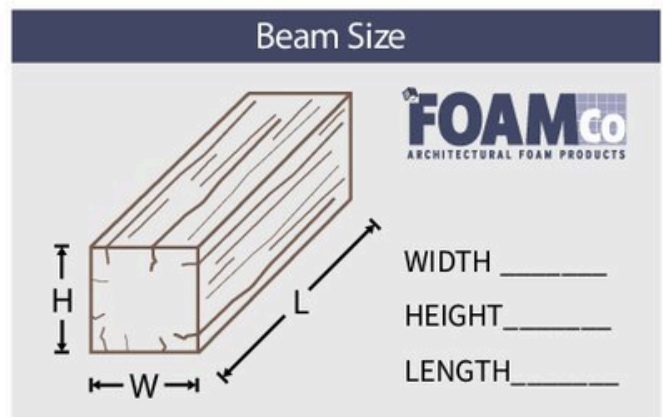
## How to Order

1. Measure the length of the room(s) where you want to place the product (add a couple of inches for insurance and cut true in field). Note desired layout of product and be certain to clear obstacles on ceiling such as sprinklers, vents or recessed lighting. Consider the height of your ceiling and select an appropriate product dimension (Width x Height). We can make almost any size and length product.....just ask!
2. Please contact us at (858) 277-3626, fax (858) 277-3640 or email [sales@FOAMCoUSA.com](mailto:sales@FOAMCoUSA.com) regarding your itemized specific list. When you place your order, please include the following:  
 your sizes (W x H x L)  
 quantities of each  
 style of beam (Standard Grain, Rustic, Rustic with Cracks, Distressed with Cracks or Custom)  
 color finish

Beam Example:

Qty(6) 6"w x 6"h x 120" Rustic w/ cracks w/ dark walnut finish  
 Qty(4) 8"w x 6"h x 168" Rustic w/ cracks w/ dark walnut finish

Simple installation instructions are furnished with each order.



5801 Fairmount Ave. #B  
 San Diego, CA 92120  
 858.277.3626  
 Fax 858.277.3640  
[sales@FOAMCoUSA.com](mailto:sales@FOAMCoUSA.com)  
[www.FOAMCoUSA.com](http://www.FOAMCoUSA.com)

